

For powerful adjustment of tables, beds, operating units etc. The slim design underlines the impression of elegance.

- Load capacity: max. 3000 N push / max. 1000 N pull
- Adjustment speed: max. 19 mm/sec. *
- Stroke length: max. 500 mm
- 2-part aluminum column, single-stage telescopic upwards, inner profiles move outwards, extra powerful
- Equipment options: Hall sensor

* depending on drive configuration at constant 24/29 V DC without load



Standard configurations

Performance data

Load capacity	max. 3000 N push max. 1000 N pull
Adjustment speed ¹	max. 19 mm/sec.
Stroke length	max. 500 m
Fitting dimension	195 mm + stroke
Duty cycle	2/18 min. or 10 %, max. 5 switching cycles per minute
Motor voltage	maintenance-free 24 V DC motors

Components

Limit switch	with micro switch
Guidance profile	aluminium anodised
Housing colour	black RAL 9005
Supply cable	black, spiralled, 320 mm, LSP-plug, PVC

Further data

Protection type	IP20
Protection class	III
Relative humidity	30% – 75%
Ambient temperature	+10°C - +40°C

Extra configurations

Components

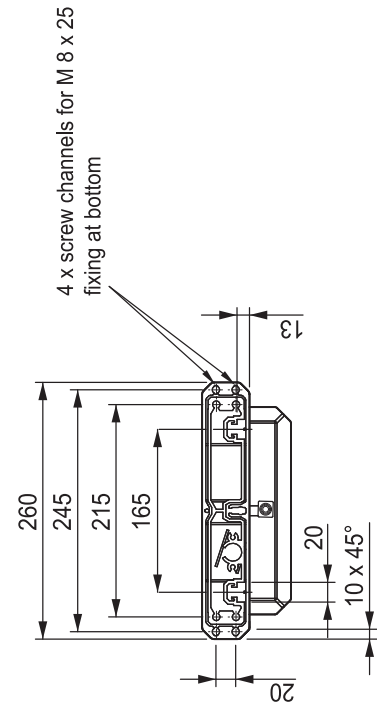
Position feedback	Hall sensor
-------------------	-------------

¹ depending on drive configuration at constant 24/29 V DC without load

Variants

Type	MULTILIFT 1000	MULTILIFT 3000	
Max. push / pull force at stroke 0 - 500 mm	1000 / 1000 N	3000 / 1000 N	-

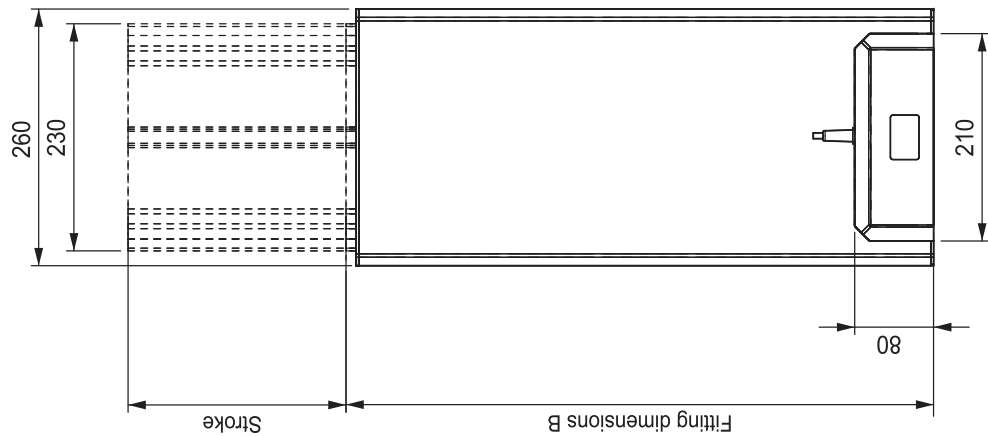
Top view



Side view



Front view



Note: Responsibility for DEWERT products when used for specific applications and for adherence to the appropriate guidelines, standards and laws is borne by the manufacturer of the complete system into which DEWERT products are fitted. We accept no liability for the correctness.