

CHAIR CONTROL CL



A Phoenix Mecano Brand

Page 1/4 - stand of 03/2016

Fitted handset for armchair arms. Two keys for easy operation. Single-motor systems.

- Colour: black RAL 9005
- Keys: max. 2



bedding



office



seating

Note: Responsibility for OKIN products when used for specific applications and for adherence to the appropriate guidelines, standards and laws is borne by the manufacturer of the complete system into which OKIN products are fitted. We accept no liability for the correctness.

DewertOkin GmbH • Weststraße 1 • 32278 Kirchlengern
Phone: +49 (0)52 23 / 9 79 -0 • Fax: +49 (0)52 23 / 7 51 82 • Email: info@okin.de • Internet: <http://www.okin.de>

Standard configurations

Performance data

Control unit	relay-free control
--------------	--------------------

Components

Housing colour	black RAL 9005
----------------	----------------

Further data

Protection type	IP20
-----------------	------

Relative humidity	30% – 75%
-------------------	-----------

Ambient temperature	+10°C - +40°C
---------------------	---------------

Keys	max. 2
------	--------

Extra configurations

Further data

Function LED	yes
--------------	-----

Equipment options	mechanical locking function
-------------------	-----------------------------

CHAIR CONTROL CL



A Phoenix Mecano Brand

Page 3/4 - stand of 03/2016

Product details



Mechanical locking
function

Note: Responsibility for OKIN products when used for specific applications and for adherence to the appropriate guidelines, standards and laws is borne by the manufacturer of the complete system into which OKIN products are fitted. We accept no liability for the correctness.

DewertOkin GmbH • Weststraße 1 • 32278 Kirchlengern
Phone: +49 (0)52 23 / 9 79 -0 • Fax: +49 (0)52 23 / 7 51 82 • Email: info@okin.de • Internet: <http://www.okin.de>

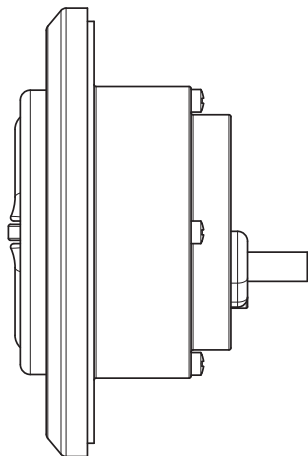
CHAIR CONTROL CL



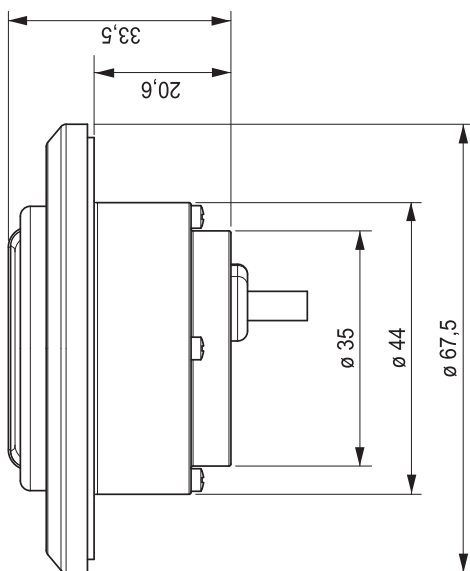
A Phoenix Mecano Brand

Page 4/4 - stand of 03/2016

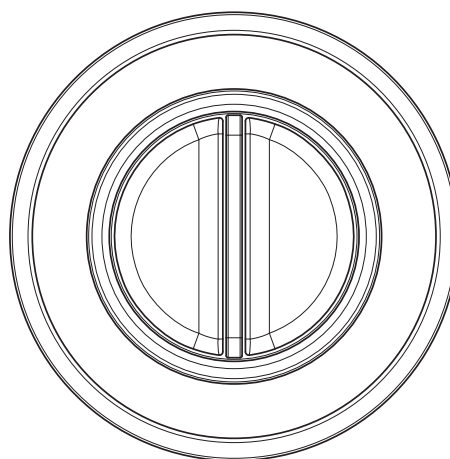
Side view



Front view



Top



Note: Responsibility for OKIN products when used for specific applications and for adherence to the appropriate guidelines, standards and laws is borne by the manufacturer of the complete system into which OKIN products are fitted. We accept no liability for the correctness.

DewertOkIn GmbH • Weststraße 1 • 32278 Kirchlengern
Phone: +49 (0)52 23 / 9 79 -0 • Fax: +49 (0)52 23 / 7 51 82 • Email: info@okin.de • Internet: <http://www.okin.de>